

THIS DRAWING IS UNPUBLISHED. RELEASED FOR PUBLICATION
 © COPYRIGHT - By - ALL RIGHTS RESERVED.

LOC	DIST	REVISIONS					
FT	0	P	LTR	DESCRIPTION	DATE	DWN	APVD
		R4		REVISED PER ECO-12-017913	10OCT12	KH	MZ

- 1 FINISH-SILVER PLATE 200 | IN THICK MIN.
- 2 FINISH-NICKEL PLATE 40 | IN THICK MIN.
- 3 FINISH-GOLD PLATE 10 | IN THICK MIN.
- 4 FINISH-GOLD PLATE 20 | IN THICK MIN.
- 5 FINISH-GOLD PLATE 80 | IN THICK MIN.
- 6 FINISH-NICKEL PLATE 50 | IN THICK MIN.
- 7 FINISH-GOLD PLATE 50 | IN THICK MIN.
- 8 FINISH-NICKEL PLATE 100 | IN THICK MIN.
- 9 FINISH-TIN PLATE 200 | IN THICK MIN.
- 10 NOT USED.
- 11 PLATING NOTES ARE TO BE INTERPRETED AS FOLLOWS, 6-8 AS 6 OVER 8.
- 12 MATERIAL: CDA17200 BeCu.
- 13 MATERIAL-STAINLESS STEEL.
- 14 PRODUCT IS SOLD BY THE FOOT.
- 15 COIL TO 3 INCH INSIDE DIAMETER.
- 16 MATERIAL: CDA 17410 BeCu.
- 17 OBSOLETE PART NUMBER
- 18 MATERIAL CERTIFICATION REQUIRED.
- 19 OBSOLETE PARTS: OBSOLETE CIS STREAMLINING PER D.RENAUD/D.SINISI

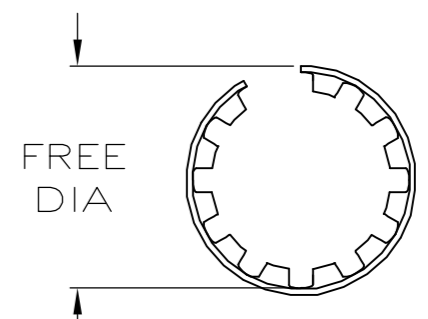
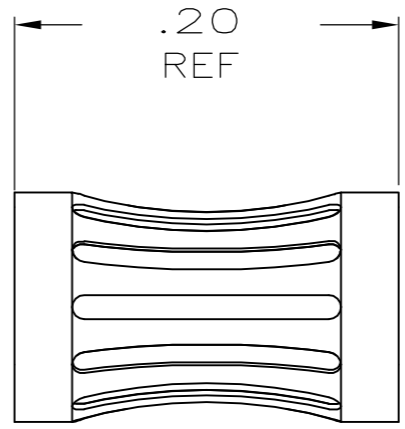
PIN #	LENGTH	STYLE	FREE DIA	(LH)	NUM LOUV	PLATING (NOTE)	MAT'L (NOTE)	MAT'L THK	REF			
[.062]		--	A	[.09]	[.016]	7	UNPL	12	0.12[.005]	05018	5-192044-0	
[.062]		--	A	[.09]	[.016]	8	7-2	12	0.10[.004]	05069	4-192044-9	OBSOLETE
[.062]		--	A	[.09]	[.016]	8	UNPL	12	0.10[.004]	05107	4-192044-8	
[.062]		--	A	[.09]	[.018]	7	4-2	12	0.10[.004]	05111	4-192044-7	
[.062]		--	A	[.09]	[.018]	7	UNPL	12	0.10[.004]	05110	4-192044-6	OBSOLETE
[.047]		--	A	[.09]	[.016]	7	7-2	12	0.12[.005]	05006	4-192044-5	
[.062]		--	A	[.09]	[.016]	6	3-2	12	0.12[.005]	05005	4-192044-4	
[.040]		--	A	[.09]	[.015]	6	7-2	12	0.12[.005]	05004	4-192044-3	OBSOLETE
[.032]		--	A	[.06]	[.020]	4	UNPL	13	0.12[.005]	05041	4-192044-2	OBSOLETE
[.030]		--	A	[.06]	[.018]	4	3-2	12	0.12[.005]	05039	4-192044-1	
[.030]		--	A	[.06]	[.018]	4	1-2	12	0.12[.005]	05033	4-192044-0	OBSOLETE
[.030]		--	A	[.06]	[.018]	4	UNPL	12	0.12[.005]	05030	3-192044-9	
NOT AVAILABLE			C	--	[.027]	3	3-2	12	0.12[.005]	05003	3-192044-8	OBSOLETE
--		--	C	--	[.027]	73	1-2	14	0.10[.004]	05152	3-192044-7	
--		--	C	--	[.027]	73	UNPL	14	0.10[.004]	05161	3-192044-6	
--		--	C	--	[.022]	21	1-2	12	0.12[.005]	05169	3-192044-5	
--		--	C	--	[.022]	21	UNPL	12	0.12[.005]	05168	3-192044-4	
--		--	C	--	[.022]	17	UNPL	12	0.12[.005]	--	3-192044-3	
--		--	C	--	[.022]	17	5-6	12	0.12[.005]	05127	3-192044-2	
--		--	C	--	[.022]	13	1-2	12	0.12[.005]	05136	3-192044-1	
--	15 [72]		C	--	[.022]	--	4-2	12	0.10[.004]	05116	3-192044-0	OBSOLETE
--	15 [144]		C	--	[.022]	--	UNPL	12	0.10[.004]	05117	2-192044-9	
--	[72]		C	--	[.022]	--	1-2	12	0.10[.004]	05181	2-192044-8	
SUPERSEDED BY 193792-2										05159	2-192044-7	
SUPERSEDED BY 193792-1										05158	2-192044-6	
--	NOTE 14		C	--	[.022]	--	3-2	12	0.15[.006]	05001	2-192044-5	
--	NOTE 14		C	--	[.022]	--	UNPL	12	0.15[.006]	05150	2-192044-4	
--	NOTE 14		C	--	[.018]	--	1-2	12	0.15[.006]	05000	2-192044-3	
--	NOTE 14		C	--	[.018]	--	UNPL	12	0.15[.006]	05058	2-192044-2	
--	NOTE 14		C	--	[.022]	--	3-2	12	0.12[.005]	05035	2-192044-1	
SUPERSEDED BY 1-192044-9										05095	2-192044-0	
--	NOTE 14		C	--	[.022]	--	1-2	12	0.12[.005]	05063	1-192044-9	
--	NOTE 14		C	--	[.022]	--	UNPL	12	0.12[.005]	05037	1-192044-8	
--	NOTE 14		C	--	[.018]	--	3-2	12	0.12[.005]	05036	1-192044-7	
--	NOTE 14		C	--	[.018]	--	1-2	12	0.12[.005]	05080	1-192044-6	
--	NOTE 14		C	--	[.018]	--	UNPL	12	0.12[.005]	05034	1-192044-5	
--	NOTE 14		C	--	[.022]	--	UNPL	14	0.12[.005]	05139	1-192044-4	
--	NOTE 14		C	--	[.022]	--	UNPL	14	0.10[.004]	05142	1-192044-3	
NOT AVAILABLE										17	1-192044-2	
NOT AVAILABLE										17	1-192044-1	
NOT AVAILABLE										17	1-192044-0	
NOT AVAILABLE										17	192044-9	
NOT AVAILABLE										17	192044-8	
NOT AVAILABLE										17	192044-7	
NOT AVAILABLE										17	192044-6	
NOT AVAILABLE										17	192044-5	
NOT AVAILABLE										17	192044-4	
NOT AVAILABLE										17	192044-3	
NOT AVAILABLE										17	192044-2	
NOT AVAILABLE										17	192044-1	
PIN #	LENGTH	STYLE	FREE DIA	(LH)	NUM LOUV	PLATING (NOTE)	MAT'L (NOTE)	MAT'L THK	REF			

THIS DRAWING IS A CONTROLLED DOCUMENT.		DWN RA JAYNE 12-13/91	STE TE Connectivity	
DIMENSIONS: INCHES		CHK J.TURNER 08-04-93		
TOLERANCES UNLESS OTHERWISE SPECIFIED:		APVD S. SIEGRIST 8/5/93	NAME	
0 PLC ± -		PRODUCT SPEC		
1 PLC ± -		APPLICATION SPEC		
2 PLC ± .02		SIZE CAGE CODE DRAWING NO		
3 PLC ± .010		RESTRICTED TO		
4 PLC ± -		A2 00779 C=192044		
ANGLES ± -		SCALE NTS SHEET 1 of 2 REV R4		
MATERIAL SEE TABLE		CUSTOMER DRAWING		

THIS DRAWING IS UNPUBLISHED.	RELEASED FOR PUBLICATION
© COPYRIGHT - By -	ALL RIGHTS RESERVED.

Loc FT	DIST 0	REVISIONS					
		P	LTR	DESCRIPTION	DATE	DWN	APVD
				SEE SHEET 1			

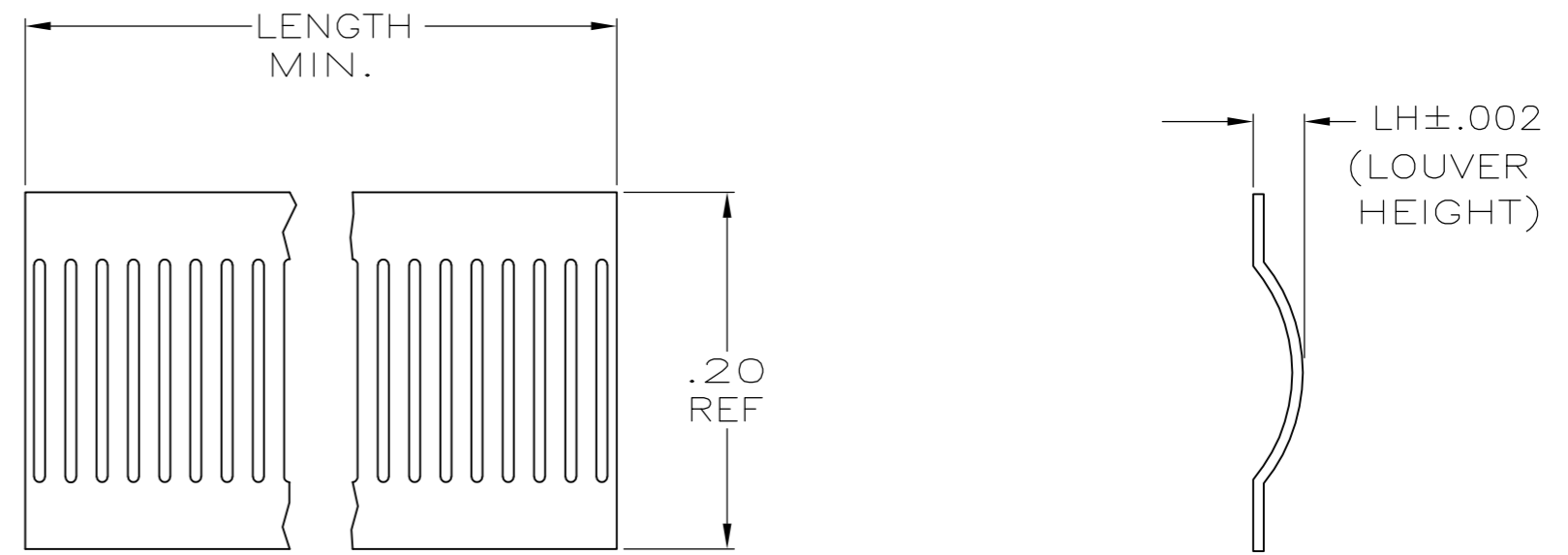
D



STYLE A
(FEMALE)

C

.20	.022	A	--	.157	18	3-2	12	0.12	.005	05013	9-192044-9	OBSOLETE	
.20	.022	A	--	.157	18	1-2	12	0.12	.005	05130	9-192044-8		
.20	.022	A	--	.157	18	UNPL	12	0.12	.005	05131	9-192044-7		
.20	.018	A	--	.152	16	7-2	12	0.15	.006	05012	9-192044-6		
.20	.018	A	--	.150	16	7-2	12	0.12	.005	05011	9-192044-5		
.19	.018	A	--	.143	17	3-2	12	0.12	.005	05098	9-192044-4		
.19	.018	A	--	.143	17	1-2	12	0.12	.005	05188	9-192044-3		
.19	.018	A	--	.143	17	UNPL	12	0.12	.005	05153	9-192044-2		
.16	.015	--	--	.125	14	3-2	12	0.15	.006	05010	9-192044-1		
.16	.015	--	--	.125	14	1-2	12	0.15	.006	05057	9-192044-0		
SUPERSEDED BY 193670-4													
.16	.015	A	--	.125	14	7-2	12	0.12	.005	05109	8-192044-5	OBSOLETE	
.16	.015	A	--	.125	14	3-2	12	0.12	.005	05060	8-192044-4	OBSOLETE	
.16	.015	A	--	.125	14	1-2	12	0.12	.005	05061	8-192044-3		
.16	.015	A	--	.125	14	UNPL	12	0.12	.005	05062	8-192044-2		
.16	.018	A	--	.125	14	4-2	12	0.10	.004	05132	8-192044-1		
.16	.018	A	--	.125	14	8	12	0.10	.004	05149	8-192044-0		
.16	.018	A	--	.125	14	UNPL	12	0.10	.004	05070	7-192044-9		
SUPERSEDED BY 7-192044-9													
.20	.018	A	--	.125	14	UNPL	12	0.07	.003	05079	7-192044-7		OBSOLETE
SUPERSEDED BY 8-192044-4													
.06	.022	A	--	.030	4	3-2	12	0.10	.004	05009	7-192044-5		OBSOLETE
.06	.022	A	--	.030	4	UNPL	12	0.10	.004	05008	7-192044-4		
.13	.018	A	--	.094	11	UNPL	12	0.15	.006	05053	7-192044-3		
.14	.016	A	--	.093	12	3-2	12	0.12	.005	05126	7-192044-2		
.14	.016	A	--	.093	12	3-2	12	0.12	.005	05160	7-192044-1		
.14	.016	A	--	.093	12	1-2	12	0.12	.005	05128	7-192044-0		
.14	.016	A	--	.093	12	UNPL	12	0.12	.005	05125	6-192044-9		
.12	.022	A	--	.080	10	8	12	0.20	.008	05173	6-192044-8		
.12	.022	A	--	.080	10	7-2	12	0.20	.008	05124	6-192044-7		
.12	.022	A	--	.080	10	3-2	12	0.20	.008	05007	6-192044-6		
.12	.022	A	--	.080	10	UNPL	12	0.20	.008	05044	6-192044-5	OBSOLETE	
.12	.021	A	--	.080	9	3-2	12	0.12	.005	05179	6-192044-4	OBSOLETE	
.12	.021	A	--	.080	9	UNPL	12	0.12	.005	05180	6-192044-3		
.12	.018	A	--	.080	9	7-2	12	0.10	.004	05172	6-192044-2		
.12	.018	A	--	.080	9	4-2	12	0.10	.004	05112	6-192044-1		
.12	.018	A	--	.080	9	1-2	12	0.10	.004	05118	6-192044-0		
.12	.018	A	--	.080	9	UNPL	12	0.10	.004	05108	5-192044-9		
.09	.020	A	--	.065	8	UNPL	13	0.12	.005	05031	5-192044-8		
.09	.020	A	--	.062	7	UNPL	13	0.12	.005	05023	5-192044-7		
.09	.015	A	--	.062	8	3-2	12	0.12	.005	05042	5-192044-6		
.09	.015	A	--	.062	8	1-2	12	0.12	.005	05059	5-192044-5		
.09	.015	A	--	.062	8	--	12	0.12	.005	05056	5-192044-4	OBSOLETE	
.09	.015	A	--	.062	8	UNPL	12	0.12	.005	05104	5-192044-3		
.09	.016	A	--	.062	8	UNPL	12	0.12	.005	05105	5-192044-2		
.09	.016	A	--	.062	7	6-2	12	0.12	.005	05106	5-192044-1		



STYLE C
(STRIP)

A

FREE DIA	(LH)	STYLE	LENGTH	MATING	NUM LOUV	PLATING (NOTE)	MAT'L (NOTE)	MAT'L THK	REF	PART NO.
----------	------	-------	--------	--------	----------	----------------	--------------	-----------	-----	----------

THIS DRAWING IS A CONTROLLED DOCUMENT.		DWN RA JAYNE	12-13/91	<p>TE Connectivity</p>
		CHK J.TURNER	08-04-93	
		APVD S. SIEGRIST	8/5/93	
		NAME S. SIEGRIST		
DIMENSIONS: INCHES	TOLERANCES UNLESS OTHERWISE SPECIFIED:	PRODUCT SPEC CONTACT BAND,FEMALE		
	0 PLC ± - 1 PLC ± - 2 PLC ± .02 3 PLC ± .010 4 PLC ± - ANGLES ± ±	APPLICATION SPEC		
MATERIAL SEE TABLE	FINISH SEE TABLE	WEIGHT -	SIZE A2	CAGE CODE 00779
		DRAWING NO C-192044		RESTRICTED TO -
CUSTOMER DRAWING			SCALE NTS	SHEET 2 of 2
			REV R4	